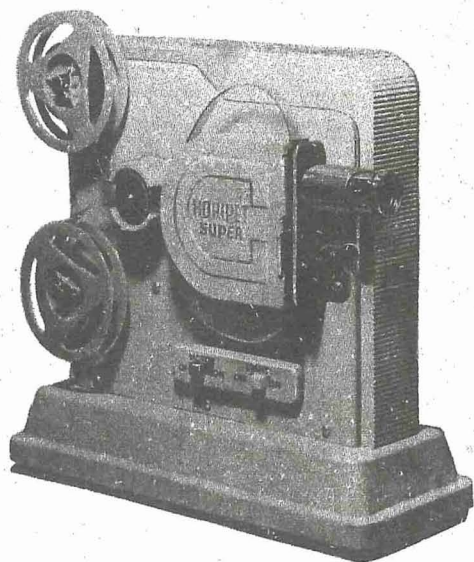


BATTERY OPERATED

8 m/m MOVIE PROJECTOR

HORIPET *"Super"*

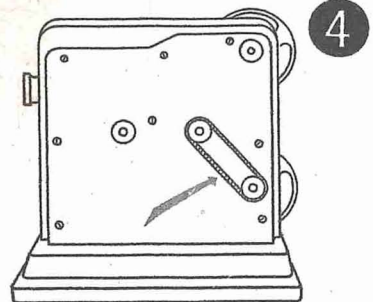
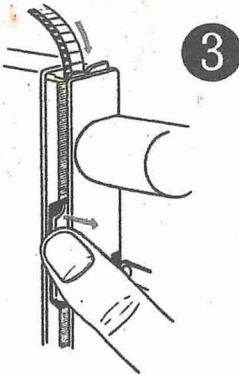
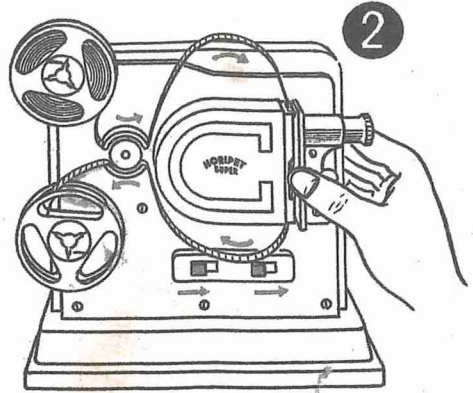
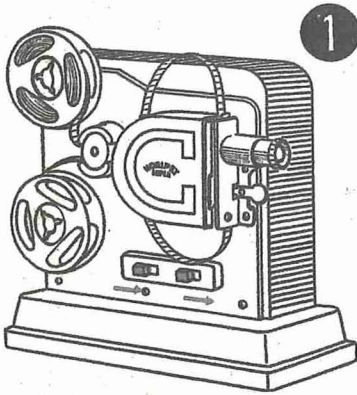
PATENT ARTICLE



FOR STANDARD 8 m/m FILM
FOR ALL YOUNGSTER
OPERATING INSTRUCTION

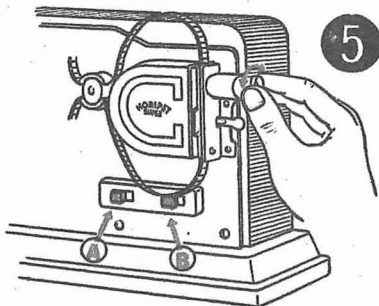
TRADE  MARK

OPERATING INSTRUCTION



(1) (2) (3) (4) FIRST!

PROPER WAY TO SET FILM
AND SPRING FOR PROJECTION

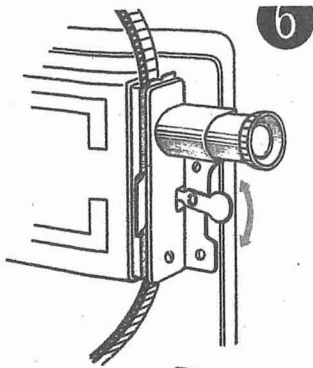


(5)

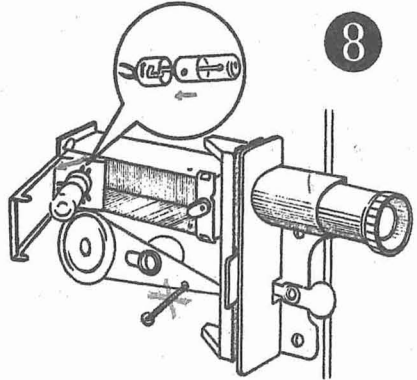
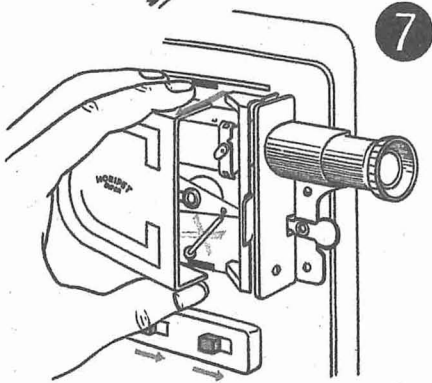
FOCUSING ADJUSTMENT

(A) MOTOR SWITCH

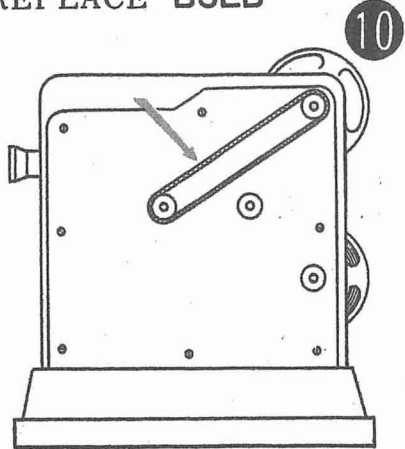
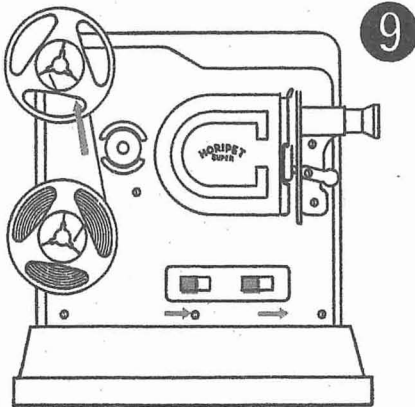
(B) LIGHT SWITCH



(6)
HORIZONTAL
ADJUSTMENT

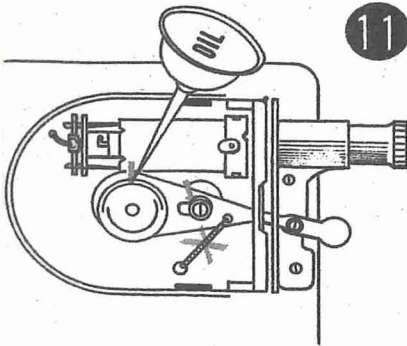


(7) (8) HOW TO REPLACE BULB

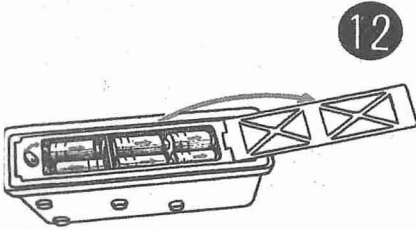


(9) (10)

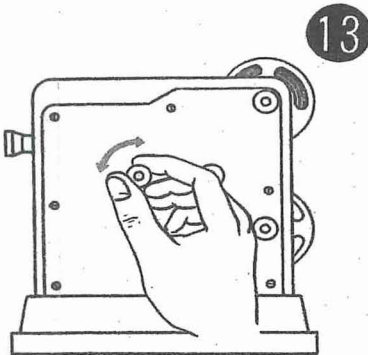
TO REWIND FILM CHANGE SETTING
OF FILM AND SPRING



(11)
LUBRICATION
1 OR 2 TIMES
A YEAR



(12)
HOW TO SET
DRY BATTERY



(13)
HOW TO CHANGE
FRAME ONE BY
ONE.