
Horipet-5

8 m/m

SPORTS PROJECTOR

OPERATES ON 6 "D" CELL BATTERIES

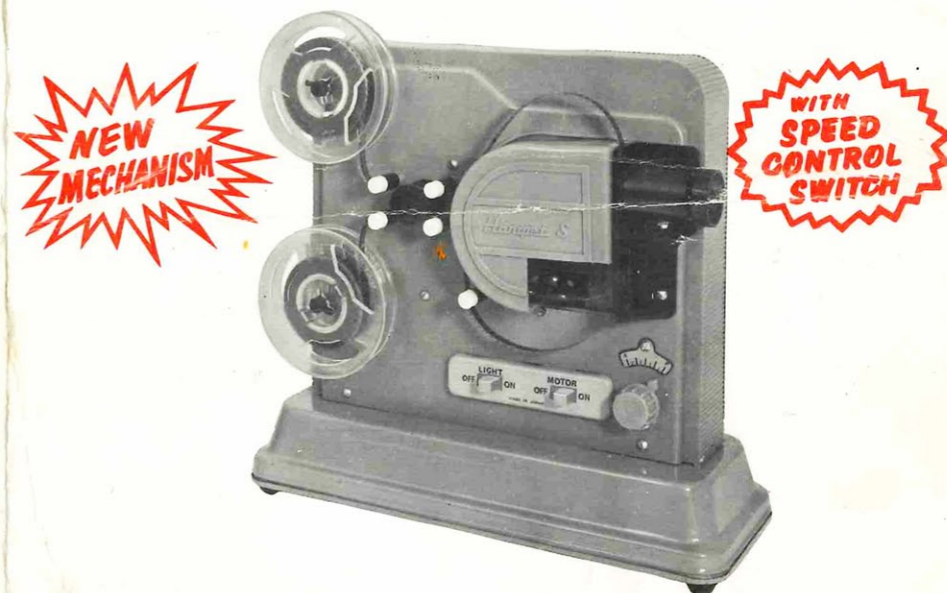
USE STANDARD 8 m/m FILM

TRADE  MARK
PRINTED IN JAPAN

BATTERY OPERATED

8 m/m **SPORTS PROJECTOR**

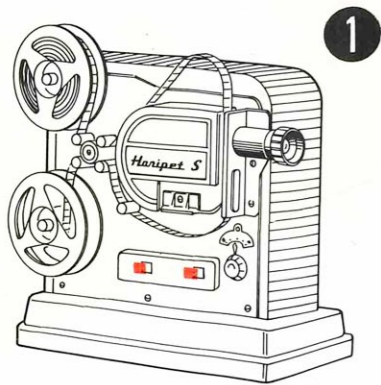
Horipet-5



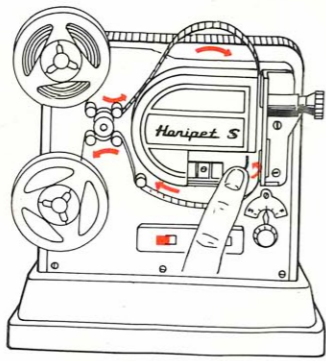
OPERATING INSTRUCTIONS

PATENTS 783968 · 576658 · 588332 · 228315 · 549845

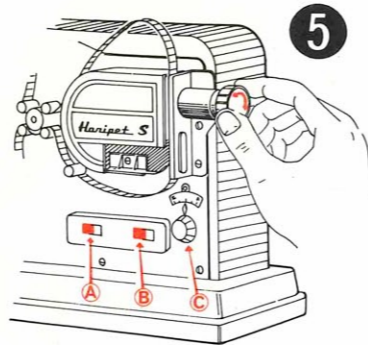
OPERATING INSTRUCTIONS



1



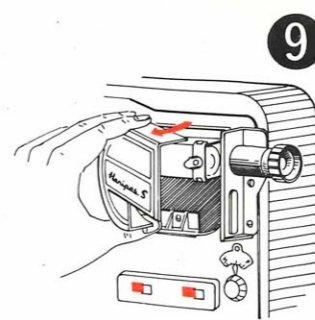
2



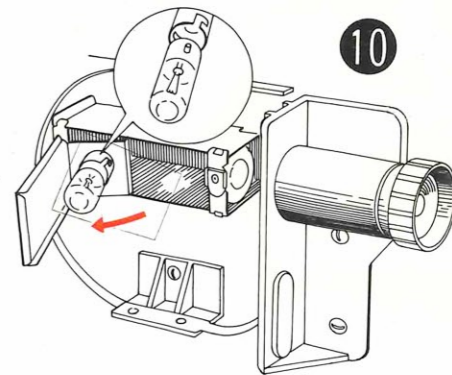
5

(5) FOCUSING ADJUSTMENT

- (A) motor switch
- (B) light switch
- (C) speed control switch

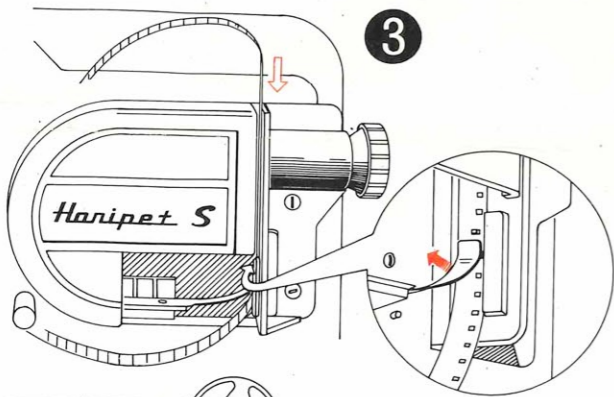


9

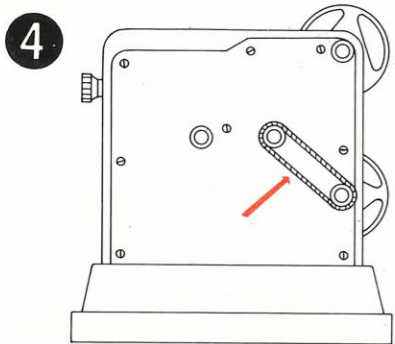


10

(9) (10) HOW TO REPLACE BULB



3



4

(1) (2) (3) (4)
SET FILM AND SPRING
AS ABOVE



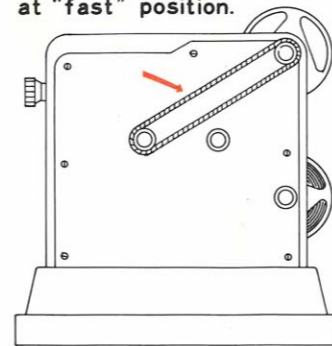
6

(6) SPEED CONTROL SWITCH

- ① be sure and start with "fast" speed
- ② to rewind film be sure to set speed control switch at "fast" position.

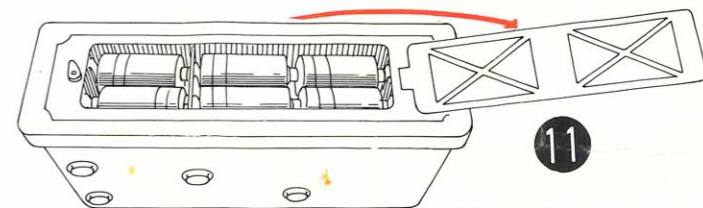


7



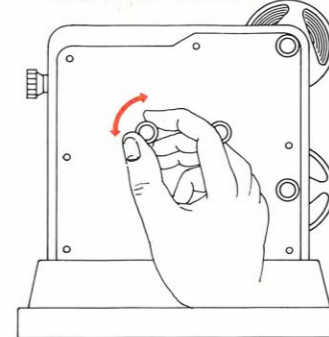
8

(7) (8) TO REWIND FILM CHANGE SETTING
OF FILM AND SPRING



11

PUT 6 "D" CELL BATTERIES
(11) AS INDICATED



12

(12) HOW TO CHANGE FRAME
ONE BY ONE