

208,558

FILM PROJECTOR TOY

Laurie J. Campbell, Erie, Pa., assignor to  
Louis Marx & Co., Inc.

Filed Dec. 14, 1965, Ser. No. 173

Term of patent 14 years

(Cl. D34-15)

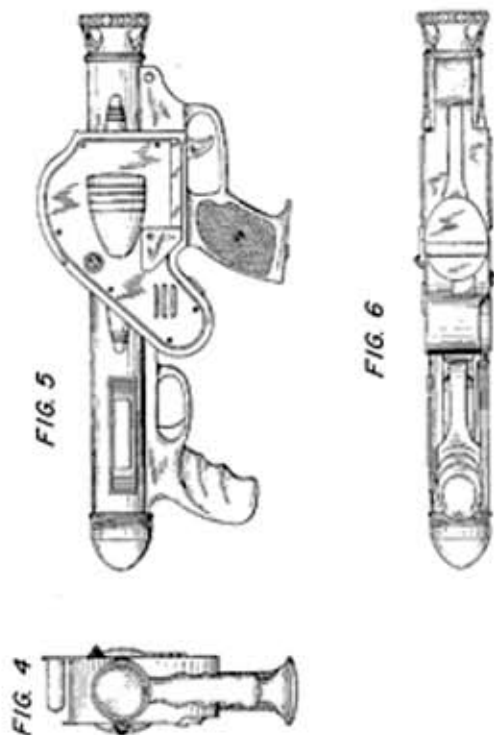
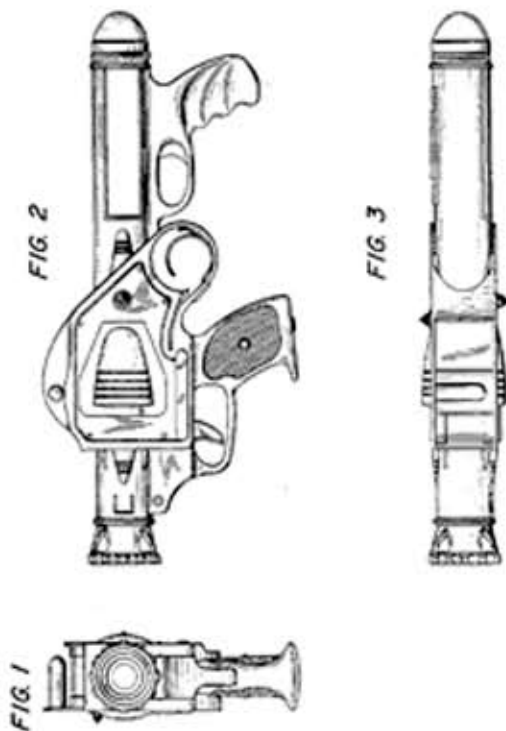


FIG. 1 is a front view of a film projector toy embodying my new design;  
FIG. 2 is a side elevational view thereof;  
FIG. 3 is a top plan view thereof;  
FIG. 4 is a rear view thereof;  
FIG. 5 is a view similar to FIG. 2 showing the opposite side of the film projector toy;  
FIG. 6 is a bottom plan view thereof.  
1 claim:  
The ornamental design for a film projector toy, as shown.

References Cited

UNITED STATES PATENTS

D. 191,055 8/1961 Kuhn ..... D34-15

OTHER REFERENCES

Toys and Novelties, November 1953, page 53, lower left, submachine water gun.

Toys and Novelties, March 1962, page 52, Daisy Paper Popper.

EDWIN H. HUNTER, Primary Examiner.

MELVIN B. FEIFER, Assistant Examiner.