

234,864

TOY PROJECTOR

Alan E. Hoeweler and Howard N. Bollinger, Cincinnati,
and Terry L. Bernard, Terrace Park, Ohio, assignors
to General Mills Fun Group, Inc.

Filed Oct. 11, 1972, Ser. No. 296,722

Term of patent 14 years

Int. Cl. D21-01

U.S. Cl. D34-15 A

FIG. 1

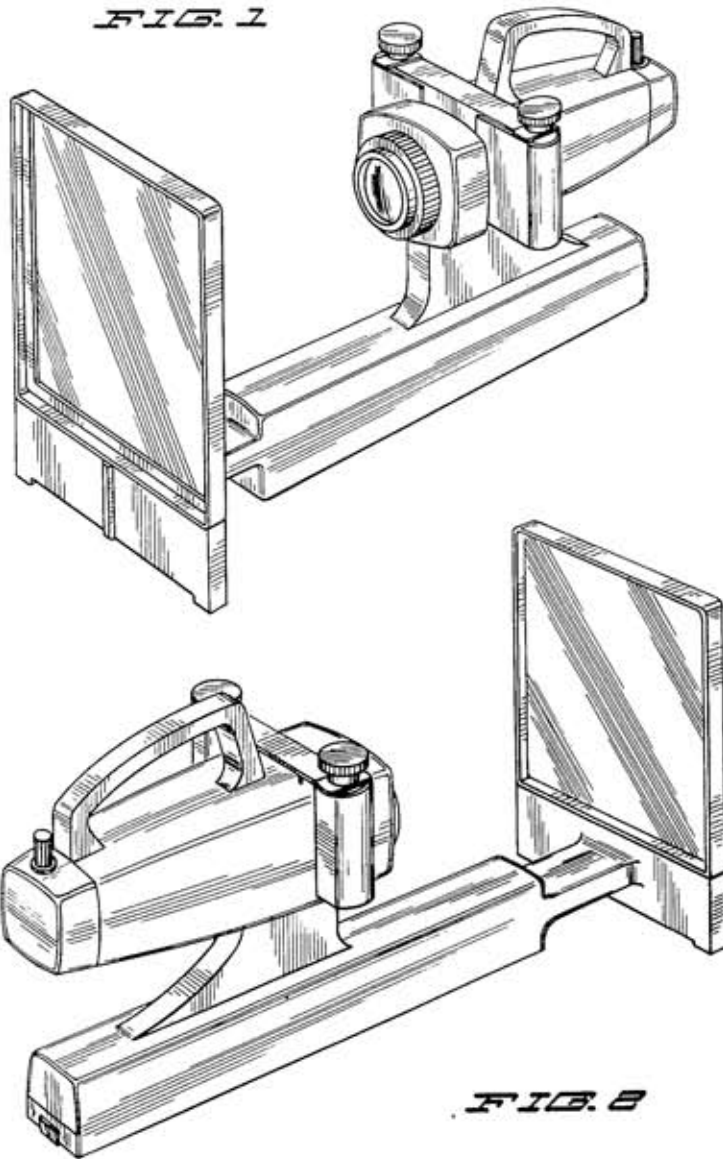


FIG. 3

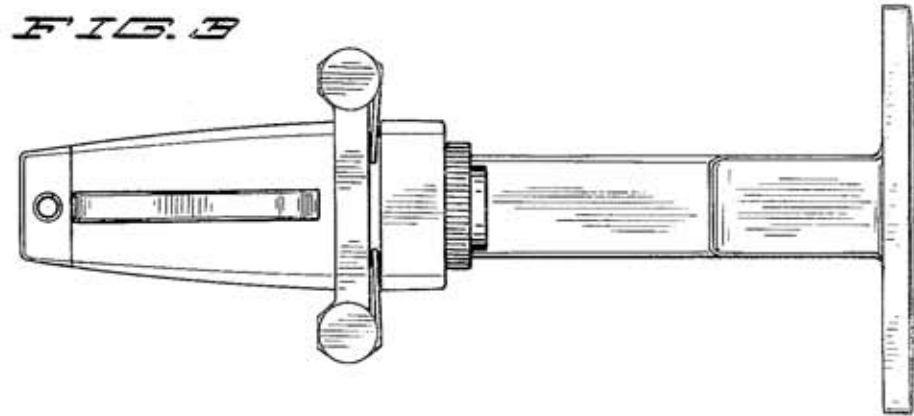


FIG. 4

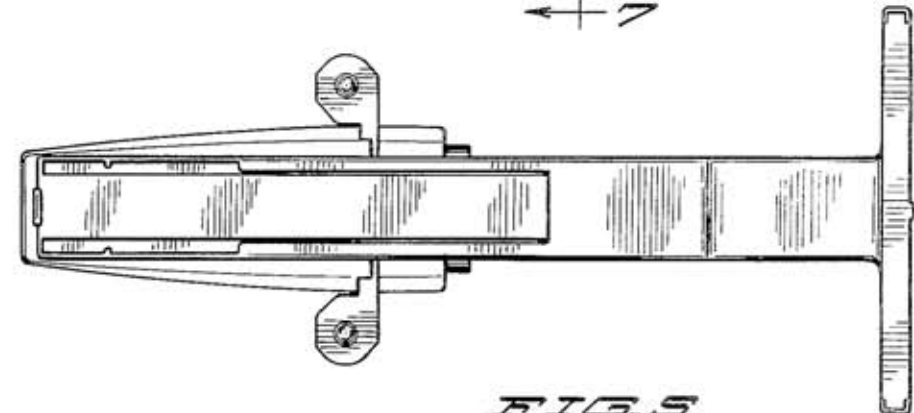
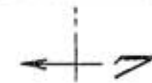
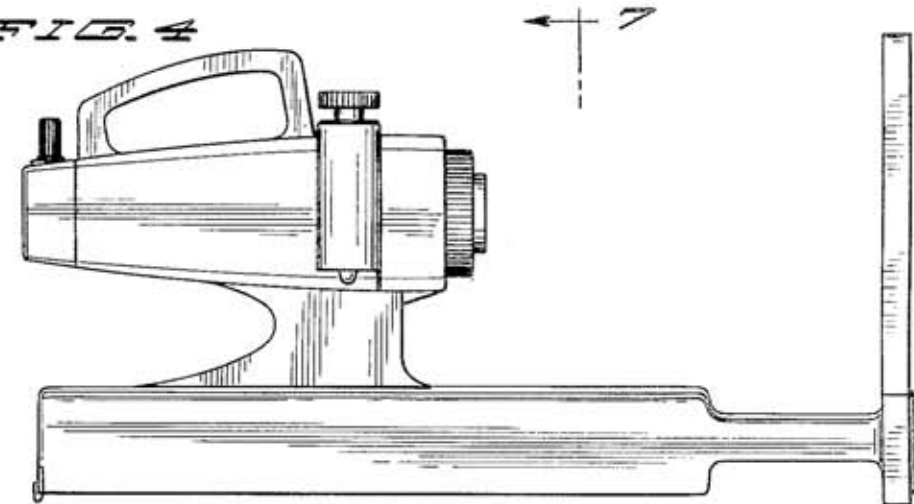


FIG. 5

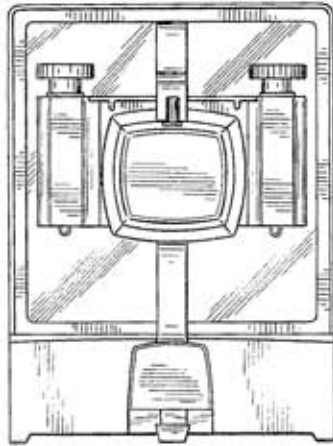


FIG. 2

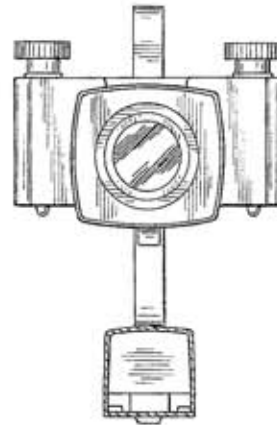


FIG. 7

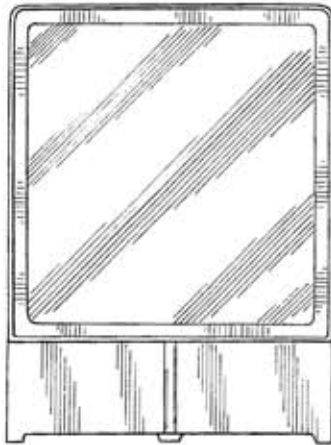


FIG. 8

FIG. 1 is a front perspective view of a toy projector embodying our new design;

FIG. 2 is a rear perspective view of the projector in a position diametrically opposite from the view shown in FIG. 1;

FIG. 3 is a top plan view of the projector;

FIG. 4 is a side elevational view of the projector;

FIG. 5 is a bottom elevational view of the projector;

FIG. 6 is a rear elevational view of the projector;

FIG. 7 is a section on the line 7-7 of FIG. 4; and

FIG. 8 is a front elevational view of the projector.

We claim:

The ornamental design for a toy projector, substantially as shown and described.

References Cited

UNITED STATES PATENTS

D. 191,055	8/1961	Kuhn	D34-15 A
D. 206,337	11/1966	Utrecht	D34-15 A
D. 132,665	6/1942	Dutton	D61-1 J

OTHER REFERENCES

Kodak Readymatic, flyer, July 1963.

MELVIN B. FEIFER, Primary Examiner